

# Technical data sheet

## Product features



### Tilting bratt pan gas

<b>Model</b>	<b>SAP Code</b>	00020317
--------------	-----------------	----------



- Bottom material: Stainless steel - suitable for cooking, easy maintenance
- Bottom thickness: 12.00
- Basin volume [l]: 50
- Usable volume [l]: 50
- Ignition: Piezo
- Tilting: Motorised
- Filling: Mechanical cock
- Type of pan: Tilting
- Basin shape: Practically shaped bathtub spout to minimize spillage
- Protection of controls: IP24
- Service accessibility: Trough the frontal panel

<b>SAP Code</b>	00020317	<b>Type of gas</b>	Natural gas, propane butane
<b>Net Width [mm]</b>	800	<b>Bottom material</b>	Stainless steel - suitable for cooking, easy maintenance
<b>Net Depth [mm]</b>	730	<b>Basin volume [l]</b>	50
<b>Net Height [mm]</b>	900	<b>Usable volume [l]</b>	50
<b>Net Weight [kg]</b>	163.40	<b>Tilting</b>	Motorised
<b>Power gas [kW]</b>	12.000		

# Technical data sheet

Technical drawing

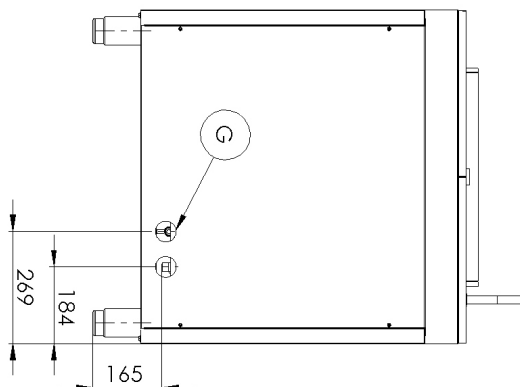
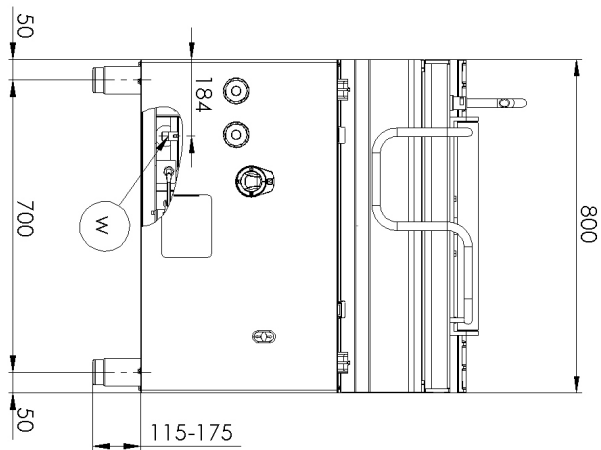
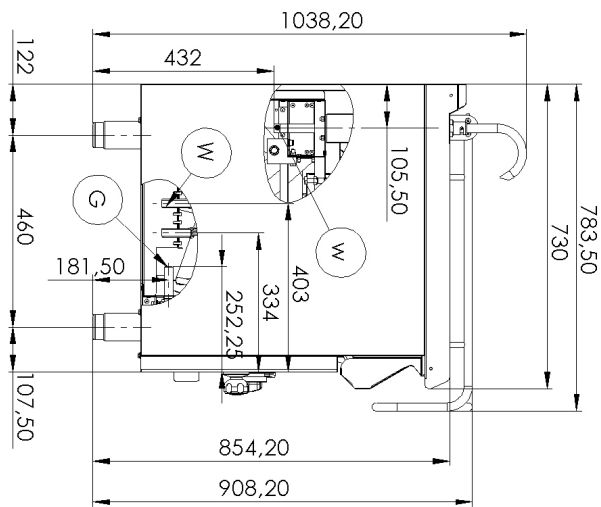


Tilting bratt pan gas

Model

SAP Code

00020317



# Technical data sheet

Technical parameters



## Tilting bratt pan gas

**Model**

**SAP Code**

00020317

**1. SAP Code:**

00020317

**2. Net Width [mm]:**

800

**3. Net Depth [mm]:**

730

**4. Net Height [mm]:**

900

**5. Net Weight [kg]:**

163.40

**6. Gross Width [mm]:**

840

**7. Gross depth [mm]:**

800

**8. Gross Height [mm]:**

1080

**9. Gross Weight [kg]:**

173.50

**10. Device type:**

Gas unit

**11. Construction type of device:**

Stationary

**12. Power gas [kW]:**

12.000

**13. Ignition:**

Piezo

**14. Type of gas:**

Natural gas, propane butane

**15. Protection of controls:**

IP24

**16. Exterior color of the device:**

Stainless steel

**17. Material:**

AISI 304 top plate and cladding

**18. Worktop type:**

Molded - comfortable cleaning maintenance

**19. Worktop material:**

AISI 304

**20. Surface finish:**

polished stainless steel

**21. Basin volume [l]:**

50

**22. Device capacity [l]:**

50.00

**23. Maximum device temperature [°C]:**

300

**24. Minimum device temperature [°C]:**

50

**25. Service accessibility:**

Trough the frontal panel

**26. Safety thermocouple:**

Yes

**27. Adjustable feet:**

Yes

**28. Tilting:**

Motorised

# Technical data sheet

Technical parameters



## Tilting bratt pan gas

Model

SAP Code

00020317

### 29. Bottom thickness:

12.00

### 30. Bottom material:

Stainless steel - suitable for cooking, easy maintenance

### 31. Type of pan:

Tilting

### 32. Usable volume [l]:

50

### 33. Filling:

Mechanical cock

### 34. Basin shape:

Practically shaped bathtub spout to minimize spillage

### 35. Water filling type:

Both cold and warm